

PFEIFER Fixing Screws for WK Moulding Insert

Item No. 05.206

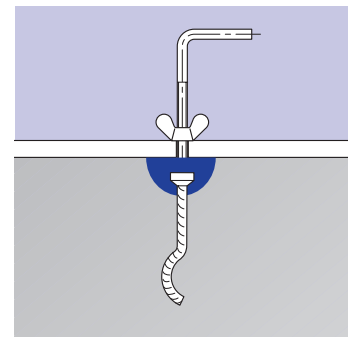
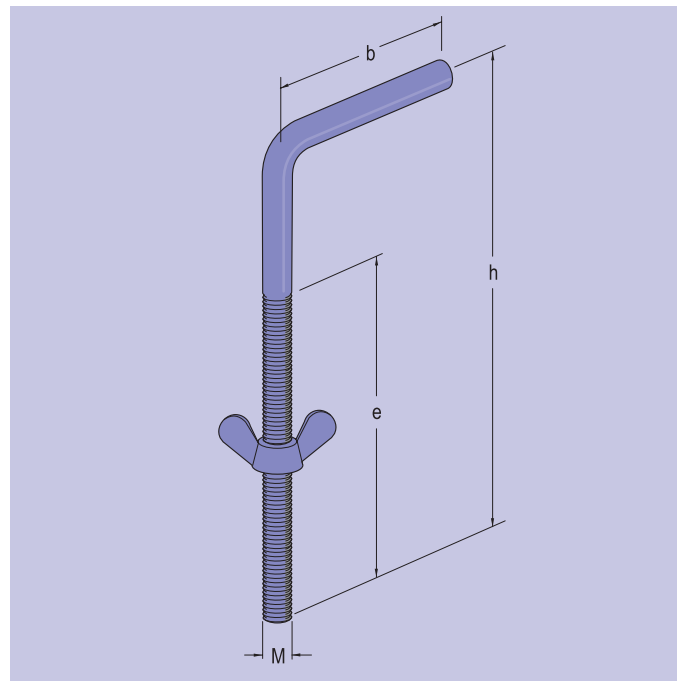


PFEIFER

Fixing systems
Polyamide socket accessories

PFEIFER Fixing Screws are a fast and safe way to fix polyamide sockets precisely and at the exact angle onto formworks.

Construction material:
Steel, zinc-plated



Ref.-No.	for Polyamide Socket	Size d	Dimensions mm			Weight approx. kg/piece
			b	e	h	
05.206.083	M 8	M 8	60	80	120	0,11
05.206.103	M 10	M 10	60	110	150	0,19

Sample order for 50 PFEIFER Fixing Screws, zinc-plated:
50 PFEIFER Fixing Screws Ref.-No. 05.206.103